

## ***Table opératoire mécanique et hydraulique avec accessoires***

***Modèle : JK201B***

***Marque : HFMED***



La table opératoire JK201B mécanique et hydraulique est une table polyvalente adaptée pour tous types de chirurgies, avec tous ces accessoires :

- 01 billot (Relève reins).
- 01 arc d'anesthésie.
- 02 épaulières.
- 02 supports jambes de **Goepel**
- 02 supports bras
- 02 calles abdominales pour mouvement de latéralité.

Cette table est équipée de 02 manettes latérales pour le contrôle et manipulation des différentes positions de la table, et d'un système hydraulique avec pédale et avec parfaite intégration d'une pompe et réservoir d'huile, et d'un cylindre à gaz facilitant le contrôle de fin de course et l'harmonie des mouvements de la table.

## 1. Scope of Application

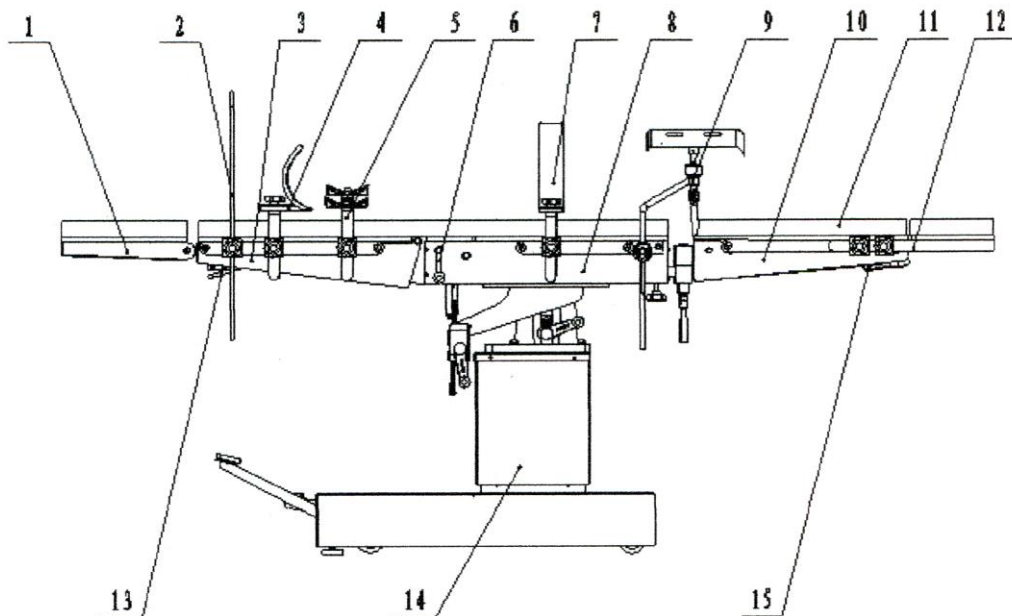
This operating table is designed for clinical experience.

## 2. General Description

This table are compactly designed and sturdily constructed, and may be raised or lowered hydraulically by means of an oil pump. They are suitable for surgical procedures of the head, neck, thorax, abdomen, perineum and extremities as well as for gynaecology, obstetrics, urology and ENT operations. Various positions can be quickly and safely adjusted.

## 3. Structure Description

The controlling devices, hand wheels and crank handles are mounted on both sides of the table. Various positions of the table can be controlled from either side.



## 4. Specifications

### Dimensions of Table Top

Overall length.....	2100mm
Width.....	500mm

### Table Top from Floor

Max Height.....	≥900mm
Min Height.....	≥650mm

### Range of Movements

Max Reversed Trendelenburg.....	$\geq 12^\circ$
Max Trendelenburg.....	$\geq 12^\circ$
Max Lateral Tilt.....	$\geq 20^\circ$

### Adjustments of Sections

Head-Rest raised from the horizon.....	$\geq 50^\circ$
Head-Rest lowered from the horizon.....	$\geq 90^\circ$
Back-Section raised from the horizon.....	$\geq 60^\circ$
Back-Section lowered from the horizon.....	$\geq 10^\circ$
Leg-Section lowered from the horizon.....	$\geq 90^\circ$
Swiveling of leg plate.....	$\geq 90^\circ$

## 5. Controlling Devices of Side Controlled Table

Hand Wheel and Hand wheel are mounted on the left side and the right side of the table for adjusting the back section and the leg section respectively from either side of the table.

On the right side of the table, Crank Handle is used for lateral tilt in left or right direction, and Crank Handle is employed for adjustment of the kidney bridge.

Crank Handle located on the right side of the table, is used to control Trendelenburg and reversed Trendelenburg positions..It is detachable and can be mounted on the left side.

Both the ascending and descending movements of the table top are controlled by the oil pump. When the products leave the factory, the oil in the oil pump has been pumped into the pail , so the oil pump can not ascend. The consumers must loosen the cover of the filling aperture at the top of the oil pump and try to use the oil in the pail to refill the oil pump through the filling aperture slowly. By pressing down Pedal repeatedly, the table top will elevate and stop automatically when the maximum height is reached. When the pedal is pressed down to its limit, the table top will begin to descend slowly and gently.

The base of the table is mounted on ball bearing castors, so that the table can be freely moved. The table is controlled by the floor brake, its fixation and movement are controlled by the same pedal. When the pedal is pressed down, the ball bearing castors lying down, the base of the table will be elevated, then the table can be pushed. Relax the same pedal, the table will be set stable on the floor.

## 6. Cautions

The Head-rest adjustment is adjusted by locking screws and nuts. If the customer wants to adjust the head part, he must loosen the corresponding handle nuts first then lock the nuts at the proper position.

Lubricating oil should be added regularly, so that the bed can be operated easily and flexibly, prolonging its life. Smear Vaseline over the tracks of the accessories on each side of the bed and the racks under the table, thus preventing it from being rusty.

Before putting into use, check all attachments to see if they have been locked securely so as to prevent them from loosening or sliding off while used.

As the bed has many parts, keep all the accessories in good order.

After operating every time, clean the dirt on the bed and keep the bed and accessories clean to prolong their life.

The ground must be kept dry. While washing the floor, please try not to make water spill into the base plate or on the casters, thus preventing them from being rusty.

Check the property regularly once a year.